

## X20J PLUS COMPACT CRAWLERS

### Platform

- 0.69 m x 1.30 m Aluminium 2 person platform
- Slide bar rear entry
- Footswitch
- Full proportional control
- Articulating jib
- Powered platform rotator (124°)
- Remote Control (via cable to platform)
- Full Remote Control of drive and stabilization
- Multi-lingual LCD display on platform console
- Platform console position sensor and lock
- Envelope management load sensing system
- Platform designed for ease of removal/changeover
- AC Cable to platform
- 6,5mm air line to platform

### Available Options

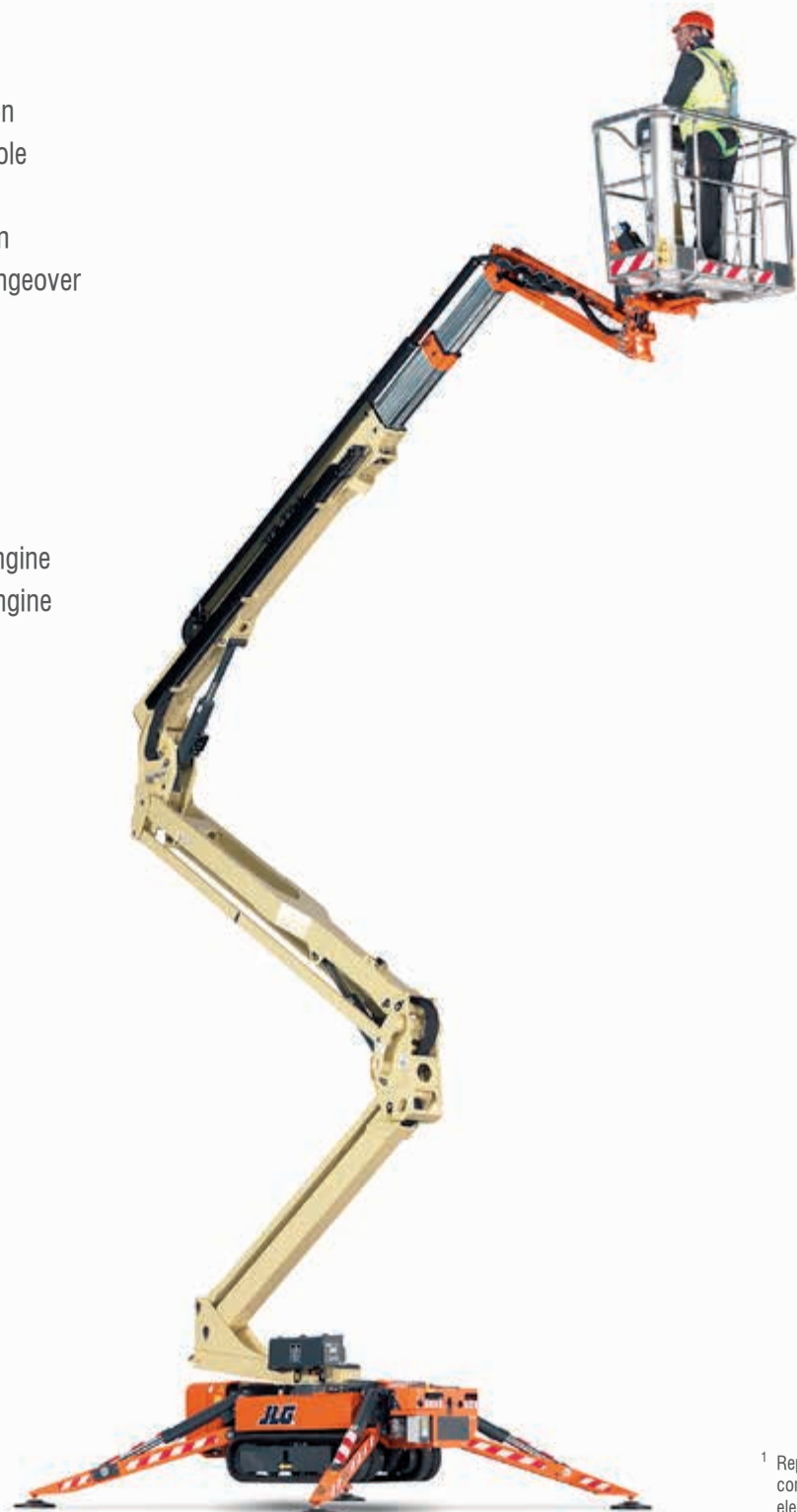
- 110V, 50 Hz - 2.2 kW Electric Engine
- 100A/hr 72V Lithium ion power pack <sup>1</sup>
- 1.46 m x 0.2 m x 0.35 m Low Profile  
Non Mark Rubber Tracks

### Power & Transmission

- Honda iGX440 - 11 kW (15HP) Gasoline Engine
- Perkins 402.05 - 10.2 kW (14HP) Diesel Engine
- 220V, 50 Hz - 2.2 kW Electric Engine
- Engine protection
- 1.46 m x 0.2 m x 0.35 m Low Profile  
Black Rubber Tracks

### Functional Equipment & Accessories

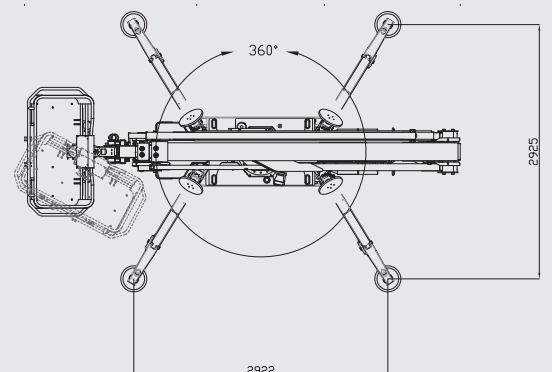
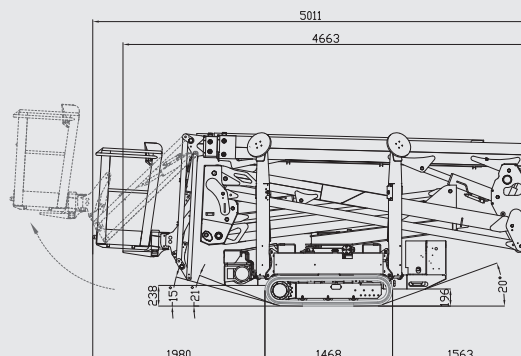
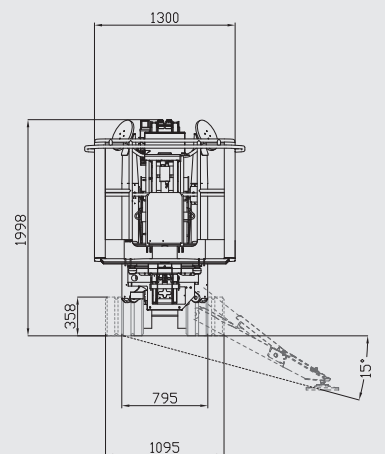
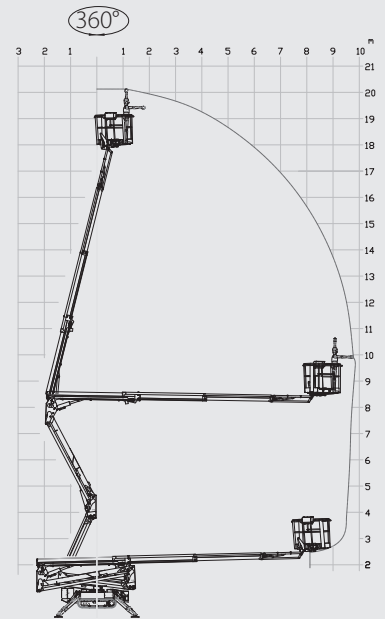
- Non Mark Outrigger Pads
- Cylinder Rod Protection on Outriggers
- Automatic cut-out when out of level
- Powered track extensions/retraction
- 361° non-continuous turntable rotation
- Turntable alignment sensor and gauge
- Three emergency descent systems
- Electro-hydraulic controls
- Full pressure hydraulic controls
- 2nd (high) Drive speed
- Lifting/Tie down points



<sup>1</sup> Replaces both combustion and electric engines

# X20J PLUS COMPACT CRAWLERS

Platform Height w 230 kg capacity	18.05 m
Working Height w 230 kg capacity	20.05 m
Horizontal Outreach (Std Platform w 230kg)	9.20 m
Up & Over Height w 230 kg	8.2 m
Swing (non continuous)	360°
Jib - overall length	1.68 m
Jib - range of articulation (+/-)	89° (+0/-89°)
Platform size (standard 2 persons)	0.69 m x 1.34 m
Platform size (narrow one person)	TBC
Stowed width (with std. 2P platform)	1.48 m
Stowed width (without platform)	0.795 m
Stowed height (on tracks)	1.99 m
Stowed length (on tracks)	5.00 m
Outrigger footprint	2.92 m x 2.93 m
Machine weight (with standard platform) <sup>1</sup>	2,840 kg
Operating weight (with petrol engine) <sup>1</sup>	2,880 kg
Maximum ground bearing pressure (on outriggers)	3,04 daN/cm <sup>2</sup>
Maximum ground bearing pressure (on tracks)	0,64 daN/cm <sup>2</sup>
Maximum drive speed (single speed m/c) Petrol	1.3 Km/h
Maximum drive speed (two speed m/c) Petrol	2.5 Km/h
Gradeability	28%
Maximum operating slope	12°
Max. Approach / Depart angles	20°
Track size - McLaren low profile black rubber	1.46 m x 0.2 m x 0.35 m
Width of Undercarriage (Retracted/Extended)	0.79 / 1.09 m
AC electric motor	2.2 KW 50Hz 230V
Engine	Honda iGX440, 11 kw Petrol



<sup>1</sup> Certain options or country standards may increase weight and/or dimensions.

JLG Industries, Inc. is a leading designer and manufacturer of access equipment and complementary services and attachments.

JLG has manufacturing facilities in the United States, France, Romania, China and Belgium. Customers throughout Europe, Scandinavia, Africa and the Middle East benefit from a network of dedicated sales and service operations designed to deliver the highest levels of support.

JLG is an Oshkosh Corporation company.

[www.jlgeurope.com](http://www.jlgeurope.com)

JLG is continually researching and developing products and reserves the right to make modifications without prior notice. All data in this document is indicative. Certain options or country standards will increase weight. Specifications may change to meet country standards or with the addition of optional equipment.